

Effortlessly control hydraulic functions with optional seat-mounted armrest.

Optimize performance and efficiency with pre-set operating modes.

Operator presence system alerts operator to potentially hazardous situations.

Premium, standard seat offers the most comfortable seating position possible.

Industry-leading, 500-hour extended service intervals.



EFG C23-C30L

Electric Cushion Tire Lift Trucks (4,500 - 6,500 lbs.)

The Jungheinrich® EFG C23-C30L models of sit-down electric counterbalanced lift trucks are an ideal material handling solution across a wide range of heavy-duty industrial applications. With the latest in operator awareness, advanced AC technology and ergonomics, the EFG C23-C30L models provides your operators with the confidence and productivity they need from shift to shift.

The key advantages:

- **Optimized runtime on one battery charge** - The EFG C23-C30L runs longer without sacrificing on performance due to Jungheinrich's advanced 3-phase AC technology and regenerative braking.

- **Higher performance, reduced maintenance costs** - AC motors require no carbon brushes or commutator, which eliminates unnecessary replacement costs, reduces service needs and allows for longer operating times.
- **Adaptable performance modes** - Optimize your performance and efficiency by simply selecting one of the pre-set operating modes. Efficiency is optimized by achieving the right balance between output and economy.
- **Optimal visibility** – Operators have excellent visibility to the fork tips due to the low-profile dashboard. The overhead guard's clean design also provides added visibility while stacking.

- **Operator awareness** - The 4" full-color display shows vital information you need to perform the task at hand. The integrated operator presence system alerts the operator to potentially hazardous situations, while increasing awareness.
- **Industry-leading ergonomics** – The EFG C23 - C30L models features a spacious, ergonomic compartment and low-profile steering column for greater comfort and productivity.

The full-suspension, standard vinyl seat can be easily adjusted to suit operators' unique preferences. Additionally, the narrow steering column includes full-hydrostatic steering for more precise control during operation.

 **JUNGHEINRICH®**

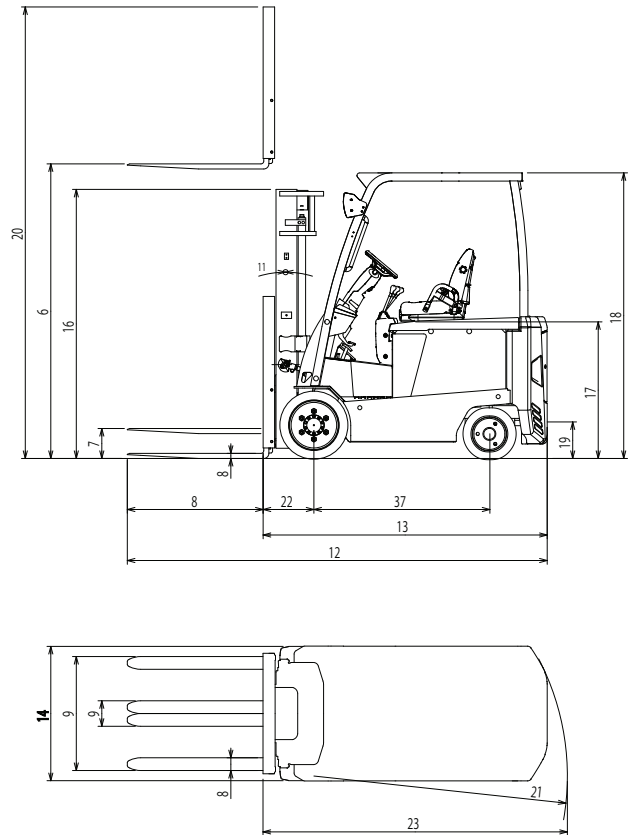
Technical data

Characteristics	Brand			Jungheinrich		Jungheinrich		Jungheinrich		
	Model			EFG C23		EFG C25		EFG C25E		
1	Capacity at rated load center	lb	kg	4,500	2,300	5,000	2,500	5,000	2,500	
2	Load center -- distance	in	mm	24	500	24	500	24	500	
3	Power – diesel, gasoline, LP gas, electric	Electric			Electric		Electric			
4	Tire type – cushion, solid pneumatic	Cushion			Cushion		Cushion			
5	Wheels (x=driven) number front / rear	2x / 2			2x / 2		2x / 2			
Dimensions	6	Maximum fork height (top of forks)	in	mm	131.5	3,340	131.5	3,340	131.5	3,340
	7	Free lift	in	mm	5.7	145	5.7	145	5.7	145
	8	Forks – thickness x length x width	in	mm	1.6x42x3.9	40x1,070x100	1.6x42x3.9	40x1,070x100	1.6x42x3.9	40x1,070x100
	9	Fork spacing – out-to-out minimum / maximum	in	mm	9.7 / 35	246 / 893	9.7 / 35	246 / 893	9.7 / 35	246 / 893
	10	Fork carriage to DIN 15 173 A / B / no	ITA Class II			ITA Class II		ITA Class II		
	11	Tilt – forward / backward	deg			5.0° / 5.0°		5.0° / 5.0°		
	12	Overall length (with 42" long forks)	in	mm	124.1	3,152	124.1	3,152	128.0	3,252
	13	Length to fork face (includes fork thickness)	in	mm	82.0	2,082	82.0	2,082	85.9	2,182
	14	Overall width with single tires	in	mm	41.5	1,055	41.5	1,055	41.5	1,055
	15	Overall width with wide stance tires	in	mm	43.5	1,103	43.5	1,103	43.5	1,103
	16	Height to top of lowered mast	in	mm	83.1	2,110	83.1	2,110	83.1	2,110
	17	Seat height to SIP	in	mm	41.7	1,060	41.7	1,060	41.7	1,060
	18	Height to top of overhead guard	in	mm	88.0	2,235	88.0	2,235	88.0	2,235
	19	Drawbar pin height	in	mm	11	282	11	282	11	282
20	Height with mast raised	in	mm	180	4,570	180	4,570	180	4,570	
21	Minimum outside turning radius	in	mm	73.2	1,860	73.2	1,860	77.3	1,964	
22	Load distance, axle to fork face	in	mm	15.5	394	15.5	394	15.5	394	
23	Minimum aisle – 90° stack - zero clearance without load	in	mm	88.7	2,254	88.7	2,254	92.8	2,358	
Performance	24	Travel speed – loaded / empty (36 volt)	mph	km/h	9.6 / 10.8	15.5 / 17.4	9.6 / 10.8	15.5 / 17.4	9.6 / 10.8	15.5 / 17.4
	25	Travel speed – loaded / empty (48 volt)	mph	km/h	11.3 / 11.3	18.2 / 18.2	11.3 / 11.3	18.2 / 18.2	11.3 / 11.3	18.2 / 18.2
	26	Lift speed – loaded / empty (36 volt)	fpm	m/s	70.9 / 106.3	0.36 / 0.54	68.9 / 106.3	0.35 / 0.54	68.9 / 106.3	0.35 / 0.54
	27	Lift speed – loaded / empty (48 volt)	fpm	m/s	94.5 / 128.0	0.48 / 0.65	88.6 / 128.0	0.45 / 0.65	88.6 / 128.0	0.45 / 0.65
	28	Lowering speed – loaded / empty	fpm	m/s	98.4 / 98.4	0.50 / 0.50	98.4 / 98.4	0.50 / 0.50	98.4 / 98.4	0.50 / 0.50
	29	Gradeability – loaded at 1 mph (1.6 kmh) (36 volt)*	%		27		25		25	
	30	Gradeability – loaded at 1 mph (1.6 kmh) (48 volt)*	%		27		26		26	
31	Maximum gradeability – loaded / empty	%		15 / 24		16 / 23		17 / 24		
Weight	32	Empty – with minimum weight battery	lb	kg	8,750	3,980	9,100	4,130	9,300	4,240
	33	Axle load – with rated load (front / rear)	lb	kg	11,675/1,575	5,560/720	12,490/1,610	5,865/765	12,505/1,795	5,875/865
	34	Axle load – without rated load (front / rear)	lb	kg	3,650/5,100	1,655/2,325	3,570/5,530	1,620/2,510	3,870/5,430	1,755/2,485
Chassis	35	Tire size – front, standard duals	in	mm	21x7x15	533x178x381	21x7x15	533x178x381	21x7x15	533x178x381
	36	Tire size – rear	in	mm	16x5x10.5	406x127x267	16x6x10.5	406x152x267	16x6x10.5	406x152x267
	37	Wheelbase	in	mm	50.4	1,280	50.4	1,280	54.3	1,380
	38	Tread width – front, standard tires	in	mm	34.5	875	34.5	875	34.5	875
	39	Tread width – rear tires	in	mm	35.8	909	34.8	884	34.8	884
	40	Ground clearance – at lowest point at mast	in	mm	3.0	76	3.0	76	3.0	76
	41	Ground clearance – at center of wheelbase	in	mm	4.9	124	4.9	124	4.9	124
	42	Service brakes	type		foot-operated, hydraulic		foot-operated, hydraulic		foot-operated, hydraulic	
	43	Parking brakes	type		foot-operated, mechanical		foot-operated, mechanical		foot-operated, mechanical	
Electrical	43	Battery type	lead-acid			lead-acid		lead-acid		
	44	Battery capacity at 6 hr. discharge rate (36 volt)	Ah	kWh	1,320	48	1,320	48	1,540	55
	45	Battery capacity at 6 hr. discharge rate (48 volt)	Ah	kWh	990	48	990	48	1,100	53
	46	Battery weight, minimum	lb	kg	2,600	1,180	2,600	1,180	3,100	1,410
	47	Battery weight, maximum	lb	kg	3,530	1,600	3,530	1,600	3,970	1,800
	48	Battery compartment size, maximum	in	mm	30.5x39.5x23.3	775x1,003x592	30.5x39.5x23.3	775x1,003x592	34.4x39.5x23.3	875x1,003x592
	49	Drive motor capacity (60 min. rating) (36 / 48 volt)	HP	kW	16.1 / 22.1	12.0 / 16.5	16.1 / 22.1	12.0 / 16.5	16.1 / 22.1	12.0 / 16.5
	50	Lift output (15% rating) (36 / 48 volt)	HP	kW	16.8 / 23.2	12.5 / 17.3	16.8 / 23.2	12.5 / 17.3	16.8 / 23.2	12.5 / 17.3
	51	Drive / hydraulic controls	type		AC transistor		AC transistor		AC transistor	
	52	Relief pressure for attachments	PSI	Mpa	2,277	15.7	2,277	15.7	2,277	15.7
53	Flow rate for attachments	gpm	lpm	14.5	55	14.5	55	14.5	55	

as of: 04/2019

	Jungheinrich EFG C25L		Jungheinrich EFG C30		Jungheinrich EFG C30L	
1	5,500	2,500	6,000	3,000	6,500	2,950
2	24	600	24	500	24	600
3	Electric		Electric		Electric	
4	Cushion		Cushion		Cushion	
5	2x / 2		2x / 2		2x / 2	
6	131.5	3,340	130.3	3,310	131.4	3,340
7	5.7	145	5.7	145	5.7	145
8	1.6x42x3.9	40x1,070x100	1.8x42x4.8	45x1,070x122	1.8x42x4.8	45x1,070x122
9	9.7 / 35	246 / 893	11.2 / 37.8	285 / 960	11.2 / 37.8	285 / 960
10	ITA Class II		ITA Class III		ITA Class III	
11	5.0° / 5.0°		5.0° / 5.0°		5.0° / 5.0°	
12	128.0	3,252	130.2	3,306	130.9	3,325
13	85.9	2,182	88.0	2,236	88.8	2,255
14	43.5	1,103	43.5	1,103	43.5	1,103
15	N/A		N/A		N/A	
16	83.1	2,110	83.1	2,110	87.8	2,230
17	41.7	1060	41.7	1060	41.7	1060
18	88.0	2235	88.0	2235	88.0	2235
19	11	282	11	282	11	282
20	180	4570	178.8	4,540	180	4,570
21	77.3	1,964	78.8	2,002	79.5	2,020
22	15.5	394	16.0	406	16.0	406
23	92.8	2,358	94.8	2,408	95.5	2,426
24	9.3 / 10.6	15.0 / 17.0	9.1 / 10.6	14.6 / 17.1	9.0 / 10.6	14.5 / 17.1
25	11.3 / 11.3	18.2 / 18.2	11.3 / 11.3	18.2 / 18.2	11.3 / 11.3	18.2 / 18.2
26	68.9 / 106.3	0.35 / 0.54	57.1 / 96.5	0.29 / 0.49	57.1 / 92.5	0.29 / 0.47
27	88.6 / 128.0	0.45 / 0.65	74.8 / 116.1	0.38 / 0.59	74.8 / 116.1	0.38 / 0.59
28	98.4 / 98.4	0.50 / 0.50	98.4 / 88.6	0.50 / 0.45	98.4 / 88.6	0.50 / 0.45
29	24		23		20	
30	25		23		21	
31	15 / 24		15 / 21		15 / 17	
32	9,650	4,390	10,600	4,820	11,050	5,030
33	13,305/1,845	6,025/865	14,375/2,225	6,765/1,055	15,225/2,325	6,890/1,090
34	3,805/5,845	1,725/2,665	3,955/6,645	1,795/3,025	3,935/7,155	1,790/3,240
35	21x8x15	533x203x381	21x8x15	533x203x381	21x8x15	533x203x381
36	16x6x10.5	406x152x267	16x6x10.5	406x152x267	16x6x10.5	406x152x267
37	54.3	1,380	54.3	1,380	54.3	1,380
38	35.4	900	35.4	900	35.4	900
39	34.8	884	34.8	884	34.8	884
40	3.0	76	3.0	77	3.0	77
41	4.9	124	4.9	124	4.9	124
42	foot-operated, hydraulic		foot-operated, hydraulic		foot-operated, hydraulic	
43	foot-operated, mechanical		foot-operated, mechanical		foot-operated, mechanical	
43	lead-acid		lead-acid		lead-acid	
44	1,540	55	1,540	55	1,540	55
45	1,100	53	1,100	53	1,100	53
46	3100	1410	3100	1410	3100	1410
47	3970	1800	3970	1800	3970	1800
48	34.4x39.5x23.3	875x1,003x592	34.4x39.5x23.3	875x1,003x592	34.4x39.5x23.3	875x1,003x592
49	16.1 / 22.1	12.0 / 16.5	16.1 / 22.1	12.0 / 16.5	16.1 / 22.1	12.0 / 16.5
50	16.8 / 23.2	12.5 / 17.3	16.8 / 23.2	12.5 / 17.3	16.8 / 23.2	12.5 / 17.3
51	AC transistor		AC transistor		AC transistor	
52	2,277	15.7	2,277	15.7	2,277	15.7
53	14.5	55	14.5	55	14.5	55

EFG C23-C30L



Note: Equipping this model (these models) with a power source (e.g. Lithium-ion, Hydrogen Fuel cell, etc.) that has not been previously approved by the factory is considered a modification. Per OSHA 1910.178 and ANSI/ITSDF B56.1, please consult with your factory representative prior to installing any non-OEM power source that has not been previously approved.

The Jungheinrich Advantage



20-degree Tilt Steering Column

Spacious operator compartment

The spacious operator compartment combines comfort and functionality for improved operator efficiency.

- Steering-column-mounted directional control lever.
- Low profile dashboard for excellent visibility to the fork tips.
- USB port (optional).
- Full-hydrostatic steer axle with tapered roller bearings.
- 4" full-color intuitive display.
- 20-degree tilt steering column.
- Small-diameter steering wheel.
- 15-inch-long operator grab handle.
- Emergency battery disconnect button turns off the entire truck, including hydraulic functions.
- Optional fingertip controls with integrated horn available.
- Storage space for operator's equipment.
- Battery compartment rollers.
- Side panels.

Advanced operator display

The easy-to-read control panel displays the vital information you need to perform daily tasks, including:

- Speed indicator.
- Regeneration Indicator.
- 360° steer direction indicator.
- Battery discharge indicator.
- Informational and warning icons.
- Parking brake indicator.
- Time and date display.
- Hour meter.
- Crawl speed indicator.
- Thermal limit indicator.
- Maintenance reminder.
- Trip meter.



4" Full Color Display

Easy to service

Easily removable side, top, floor and rear access panels, make accessing the motors and major components simple – saving you time and money.

- 500-hour extended service intervals
- Display-based maintenance reminders
- Easy access to key service components

Battery extraction methods

- Side rail extraction
- Side roller extraction
- Overhead guard battery extraction

Styling / ergonomics

The design of the Jungheinrich EFG C23-C30L offers optimal visibility. This allows for operators to easily perform racking and stacking operations across a wide-range of applications.

- New cowl design and steering column.
- Rerouted wiring integrated into the overhead guard.
- Excellent visibility through the mast and overhead guard.

Customized programming

Performance profiling allows you to customize drive and hydraulic settings based on the specific application, individual operator experience level and personal preferences. All performance requests, information queries and display-based programming can be performed with easily accessible buttons.

Powerful efficiency

The two-stage hydraulic system determines the optimum motor speed, resulting in reduced energy consumption and longer run times. Key features:

- Advanced AC motors
- Optimized regenerative braking system

Wide variety of options

Special option packages include:

- Drive-in rack configuration.
- Freezer packages for intermittent use below 14 degrees Fahrenheit.
- Electronic back-up "smart" alarm, ideal for freezer and cold applications.
- Foot directional control.
- Steering wheel knob.
- Rear grab handle with horn button.
- A wide variety of lighting packages for different applications
- U.L. type ES, EE ratings.

Lithium-Ion Availability:

- Greater power efficiency
- Run for 24 hours a day, 7 days a week with opportunity charging
- Zero battery maintenance
- No watering
- No more battery exchanges
- No gas emissions, odor or acidification
- No special charging areas or equipment needed
- Longer lasting life cycles (up to 3,000)
- 5-year warranty on batteries
- 2-year warranty on chargers

Parts when you need them*

Jungheinrich's Parts Fast or Parts Free Guarantee ensures next-business day delivery by 5:00 PM of all Jungheinrich parts in the United States, or they're free, including freight. For customers in Canada and Mexico, the guarantee ensures shipping of parts within 24 hours from the time the order was placed by the dealer. See your local Jungheinrich dealer for program details.

* Programs may be subject to change without notice and may vary by region. Please ask your local Jungheinrich dealer for complete terms and conditions.